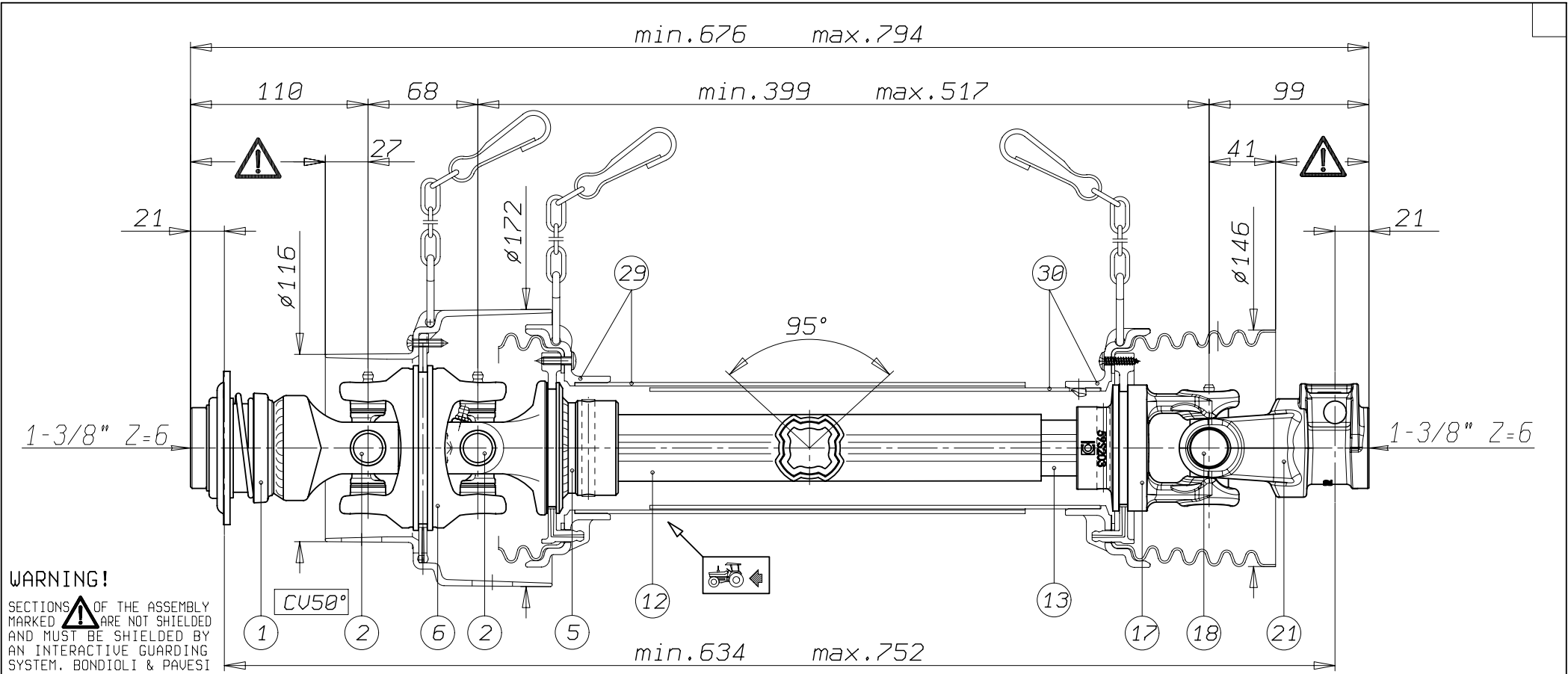




○ DS2R039CEX00001



**WARNING!**

SECTIONS  OF THE ASSEMBLY MARKED ARE NOT SHIELDED AND MUST BE SHIELDED BY AN INTERACTIVE GUARDING SYSTEM. BONDIOLI & PAVESI DECLINES RESPONSIBILITY IF PROPER GUARDS ARE NOT PROVIDED OR MAINTAINED.

30 5662C0248 L = 248 (13823) - RISPETTARE LA POS. DEGLI INGRASSATORI E L'ALLINEAMENTO FORI SULLA PROTEZIONE.  
 29 5661C0248 L = 248 (13824)

21	507S20352		TIPO-TYPE TYP	CLIENTE CLIENT CUSTOMER KUNDE	3600502	DANI-TECH A/S	RIF. CLIENTE REF. CLIENT CUSTOMER REF. BEZUG KUNDE		
18	4120C0012		SFT S2	TIPO DI MACCHINA TYPE DE MACHINE TYPE OF IMPLEMENT MASCHINENTYPE			DATA	DISIGNATO	
17	204S26853				GIRI : n=	540	27/1/03	P. Spennato	
13	2454L0280	L = 280 (12219-R)		ORIGINE		STUDIO	TR52R039001	SOSTITUISCE	D21A41CEXT7001
12	2253F0275	L = 275 (12222)		NOTE :					
6	2080C0054			Accop. MINIMO telescop.	119				
5	2080C6858			Accop. MINIMO protezione	106				
2	4120C0003			Speciale per CODIFICA					
1	5730C0320								
Pos.	Cod. C.E.D.	Descrizione	MODIFICHE - MODIFICATIONS - ANDERUNGEN - MODIFICACIONES			 COD. C.E.D. DS2R039CEX00001			